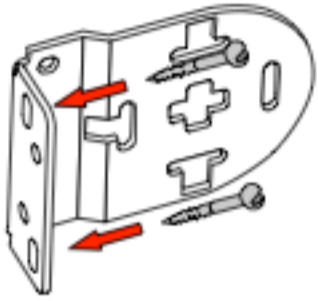


Roller Blind Installation Guide

Crosby Blinds & BlindsHouse

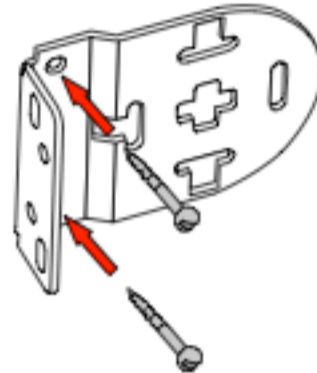
For CB & BH Side Control Roller Blinds only

Step 1: Fitting the Brackets



Face - Fixing:

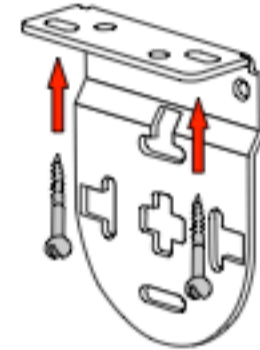
Use the holes on the back-plate to attach the bracket directly onto the facing surface. This is typically used when mounting the blind onto the wall or window frame.



Side - Fixing:

Use the holes on the side-plate to mount the bracket to a side-facing surface. This is normally only used within a recessed window.

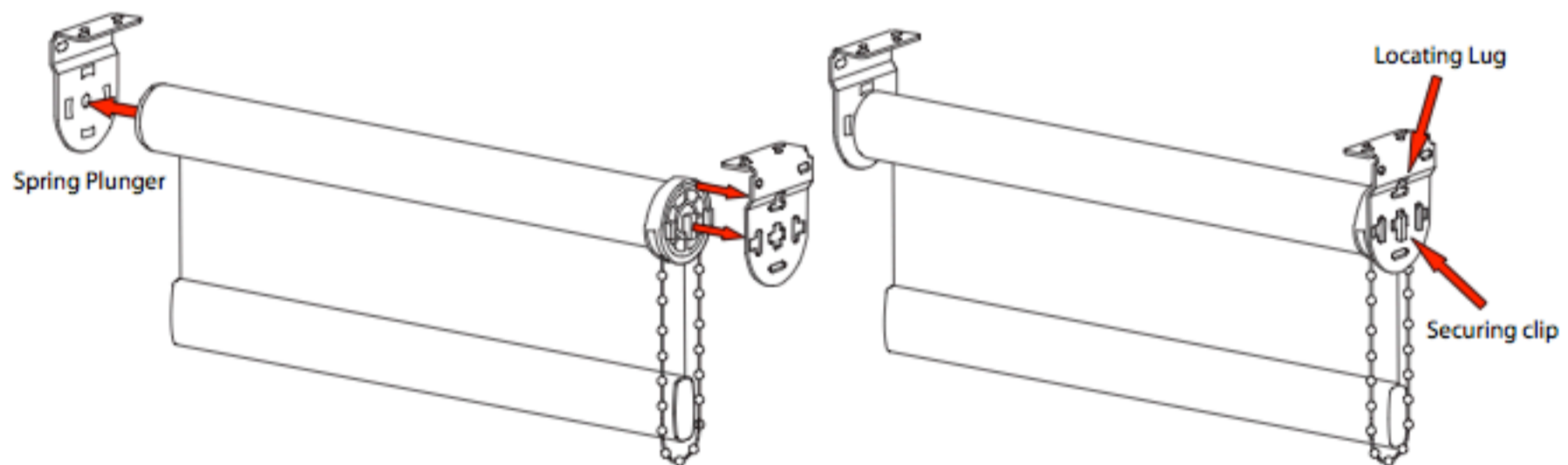
Side Fixing only works if you ordered a exact measurement, not recess



Top - Fixing:

Turn the bracket so that the back-plate faces upwards and use the holes that are now facing up towards the ceiling. This method of installation is used for mounting the blind directly onto the ceiling or the underside of the lintel.

Step 2: Fitting the Blind



Once the brackets have been installed place the spring plunger into the circular hole on the bracket opposite the control end of the blind (indicated on the left hand side of the diagram above). Push the blind towards this bracket so that the spring plunger depresses, this allows the control mechanism to fit within the cross shaped hole on the bracket (indicated on the right hand side of the diagram above). Move the controls downwards slightly so that the securing clip firmly connects with the bracket. The installation is now complete.

To release the blind, push the control unit upwards slightly to release the securing clip. Then push the blind towards the opposite end so that the spring plunger depresses. This allows the blind to be removed from the window area.