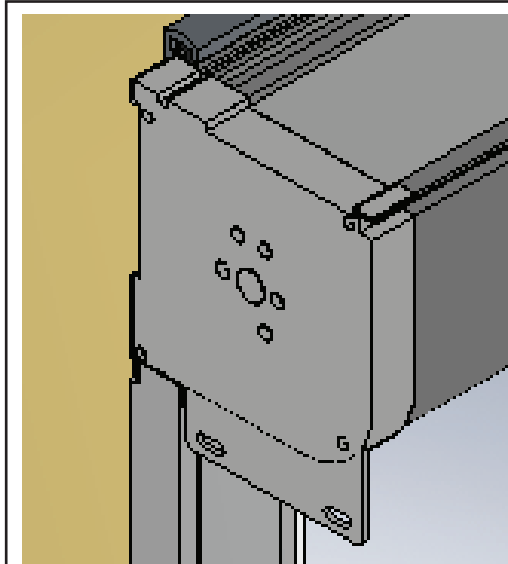
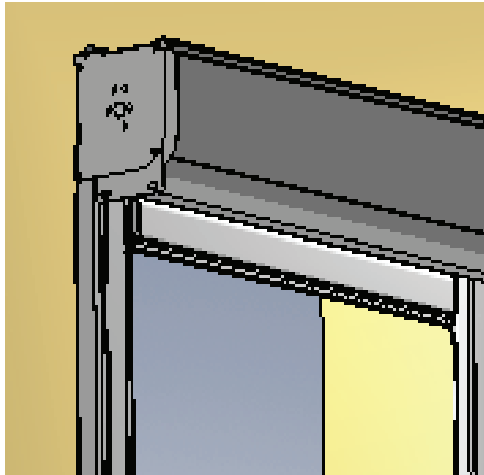
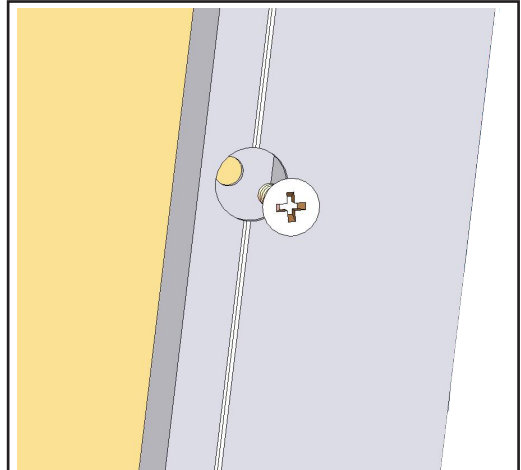


FACEFIX SIDE-GUIDES

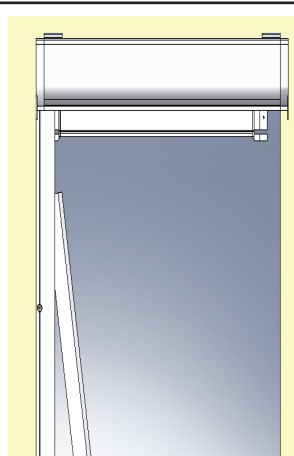


1. Place the fixed side-guide profile tight against the cassette end-cap and flush with the edge of the end-cap, as shown.

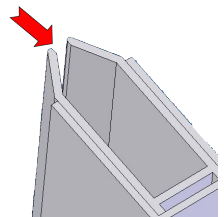


2. Once in position, screw into place at pre-drilled holes using fixings suitable for the target material.

Plastic stoppers are provided to cover the hole once the crew has been inserted.

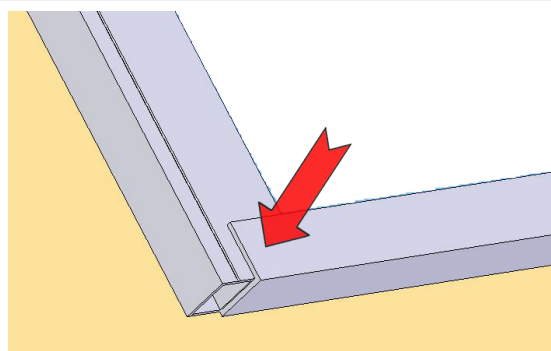


3. Insert adjustable side-guide into fixed side-guide, ensuring that the plastic bottom-bar endcap is slotted into the opening of the adjustable sideguide.



Press the adjustable side-guide into the fixed part, ensuring that the bottom bar will be free to move through it along the full drop of the blind.

The top of the adjustable sideguide should be flush with the top of the fixed part.



4. Slot bottom channel over the narrow part of the fixed side-guides as shown.

When suitably positioned, drill a hole and the point shown and pop-rievet or screw in place.