

## GETTING STARTED

Ensure that the position that you intend fixing your Facette™ Shade means it will not come into contact with protruding parts, such as window latches, door handles, windowsills, etc.

### 1a/b. Installing the brackets

When mounting to the ceiling, use the adjustable top fix ceiling brackets (1a), and when mounting to the wall, use the adjustable face fix wall brackets (1b).

### 1c. Positioning

Mark the position of the holes for the brackets. When doing so, pay attention to the end distances and intermediate distances as shown in figure (1c). Ensure sufficient free space around the brackets as shown in figures (1a) and (1b). First drill the holes and then screw the brackets in place. Ensure that all of the brackets are screwed in line and are level. Preferably attach the brackets with at least 2 screws and in a diagonal direction, as shown in figures (1a) and (1b).

**Please note:** It is recommended to always drill the mounting holes first!

## INSTALLATION

### 2. Installing the cassette

#### 2a top fix ceiling bracket, 2b face fix wall bracket

When using three or more brackets, always work from the middle towards the sides. Place the bracket in the lower position by pulling the transparent lip downwards as far it will go [1]. Insert the top of the cassette into the clips [2] and then click the bottom of the cassette into the clips [3]. Push the cassette upwards as far as it will go [4]. Lock the brackets by pushing the transparent lips slightly upwards [5]. Check that the Facette™ Shade is hanging completely level. **Please note:** The brackets must be in the lower position when inserting the cassette.

**Please note:** Lock the brackets.

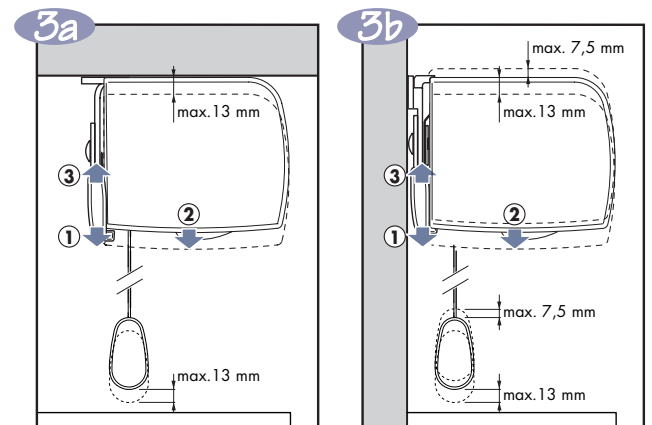
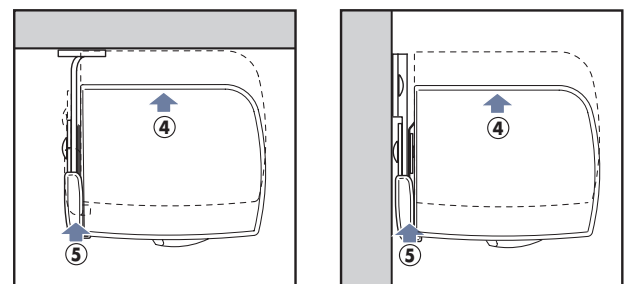
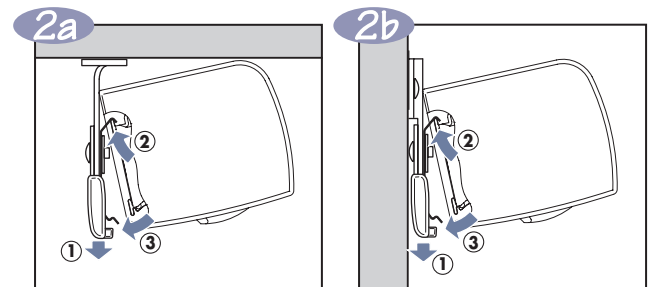
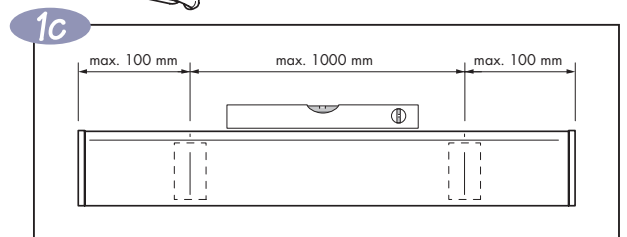
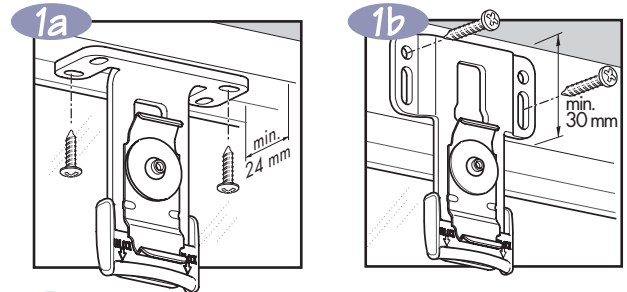
**Please note:** Check the Shade is mounted level.

### 3. Optimal positioning of the Facette™ Shade

#### 3a ceiling bracket, 3b wall bracket

With the adjustable ceiling and wall brackets, the Facette™ Shade can be moved downwards up to 13 mm either completely or on one side (and also moved up to 7.5 mm upwards with the wall bracket).

This enables the Facette™ Shade to be mounted completely level. Furthermore, in the completely lowered position, the clearance between the bottom rail and (for example) the windowsill can be minimized.



On the brackets you want to adjust, pull the transparent lips downwards to unlock it [1]. Then move the cassette as far as necessary [2]. Lock the brackets again by pushing the transparent lips slightly upwards [3]. Check that the Facette™ Shade is hanging completely level.

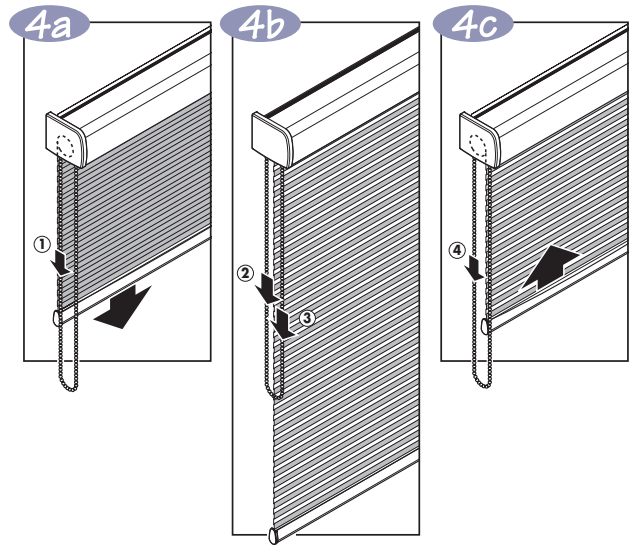
**Please note:** Lock the brackets.

**Please note:** Check the Shade is mounted level.

## OPERATION

### 4. Easy chain operation

You can easily raise, lower, open and close the Shade by pulling the chain, as shown in figure (4a). The Shade is moved into the fully closed or fully opened position (4a & 4c). In the lowered state, the Shade can be opened and closed (4b).

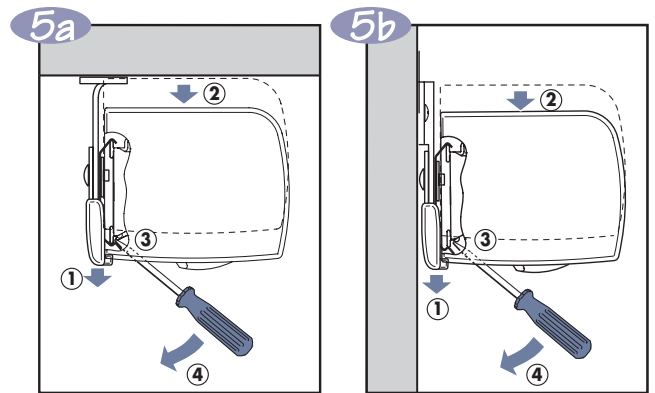


## DEMOUNTING

### 5. Demounting

First roll up the Shade completely. Pull the transparent lips downwards to unlock the brackets [1] and then move the cassette fully downwards [2]. Insert a screwdriver between the clip and the cassette [3]. Always start from the sides, so that the Facette™ Shade remains hanging on the middle bracket(s) until the end (if there are 3 or 4 brackets). Slowly move the screwdriver backwards until the cassette comes out of the clip [4]. Then pull the cassette out of the brackets.

**Please note:** The brackets must be in the lower position when demounting.



## CLEANING

### 6. Cleaning

Regularly removing dust from the shade with a feather duster is usually enough to keep your Facette™ Shade looking smart and clean. The antistatic 100% Trevira CS yarn ensures that the Facette™ Shade remains dirt-free for longer. More stubborn dirt and most types of stains can be removed with a damp cloth or by immersing the Facette™ Shade in a bathtub with a mild (non-synthetic) cleanser. Then rinse with water and leave to dry in the completely lowered and closed position. Do not iron the Facette™ Shade! The Facette™ Shade can also be ultrasonically cleaned by a professional cleaning company. For more information about this, contact your dealer. The above advice has been prepared with care. Nevertheless, we can accept no responsibility for the results of the cleaning. **Please note:** Do not fold, crease, scrub roughly or iron!