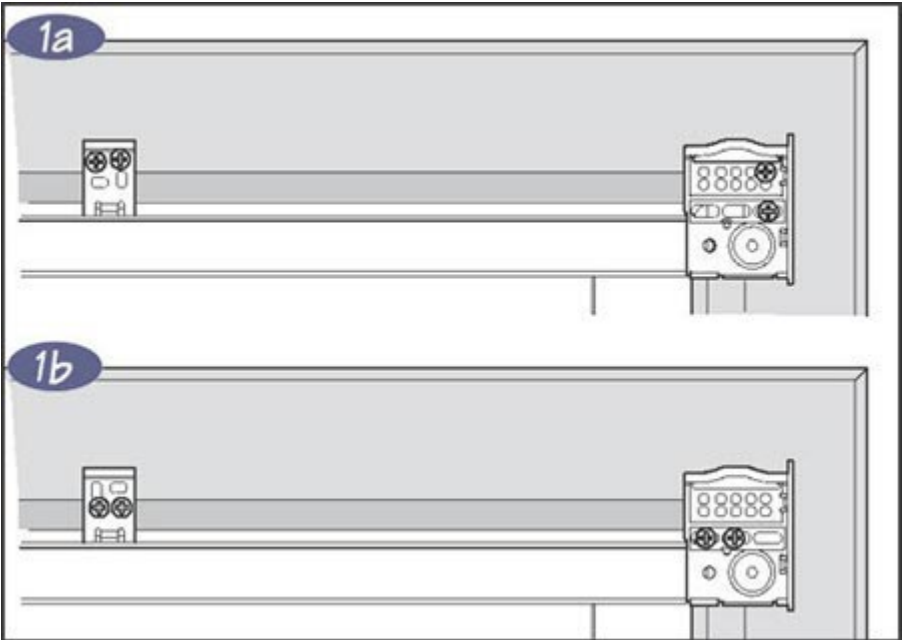
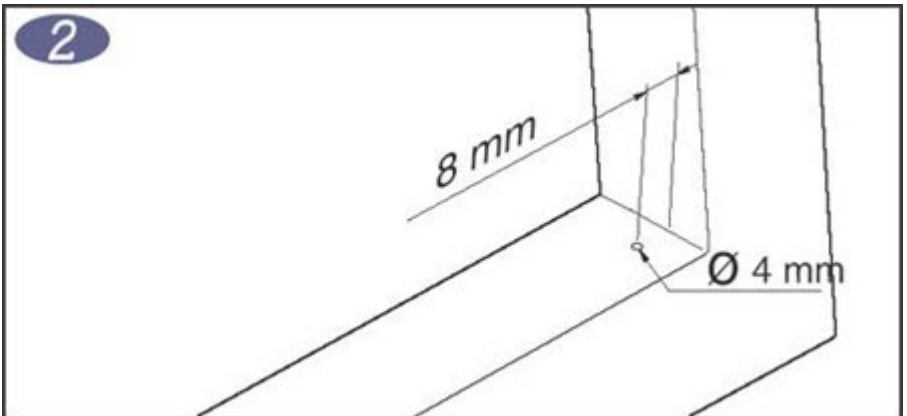


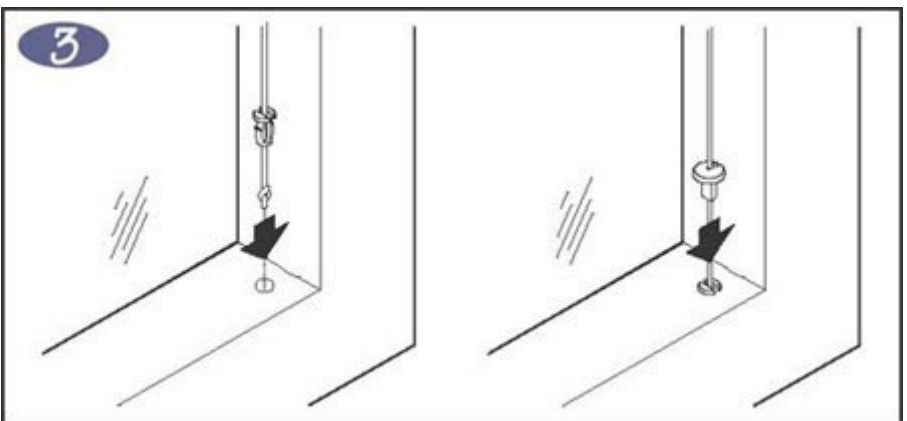
FRONTFIX MONOCOMMANDO



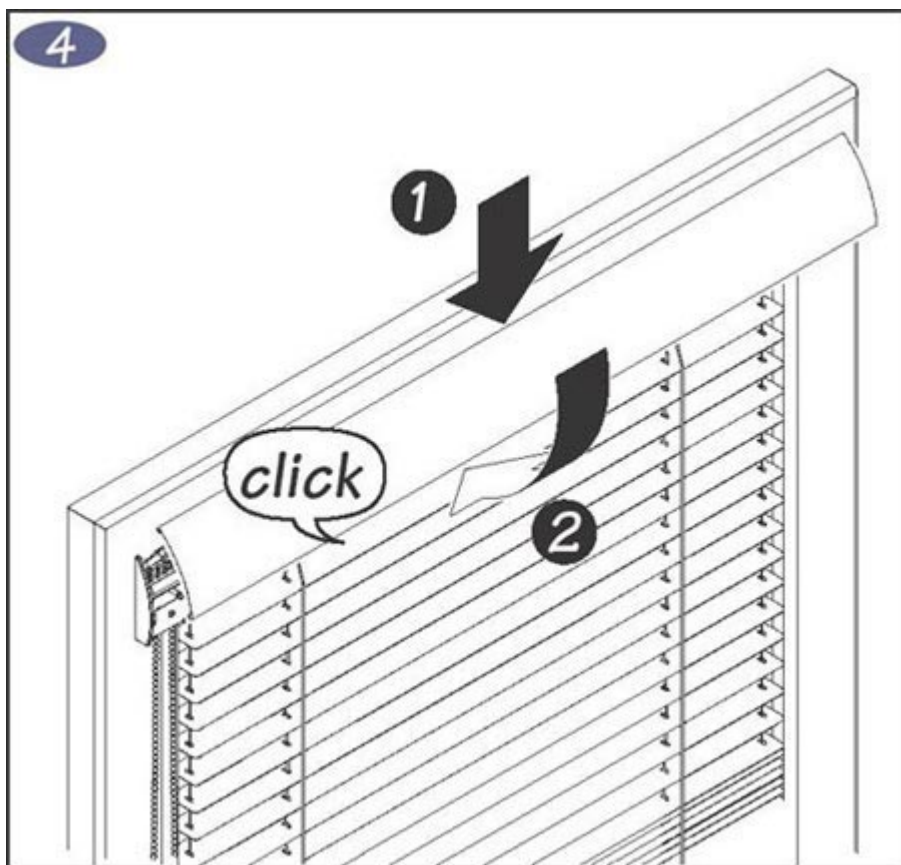
1. Mounting on window-frame [a] / glazing bead [b]



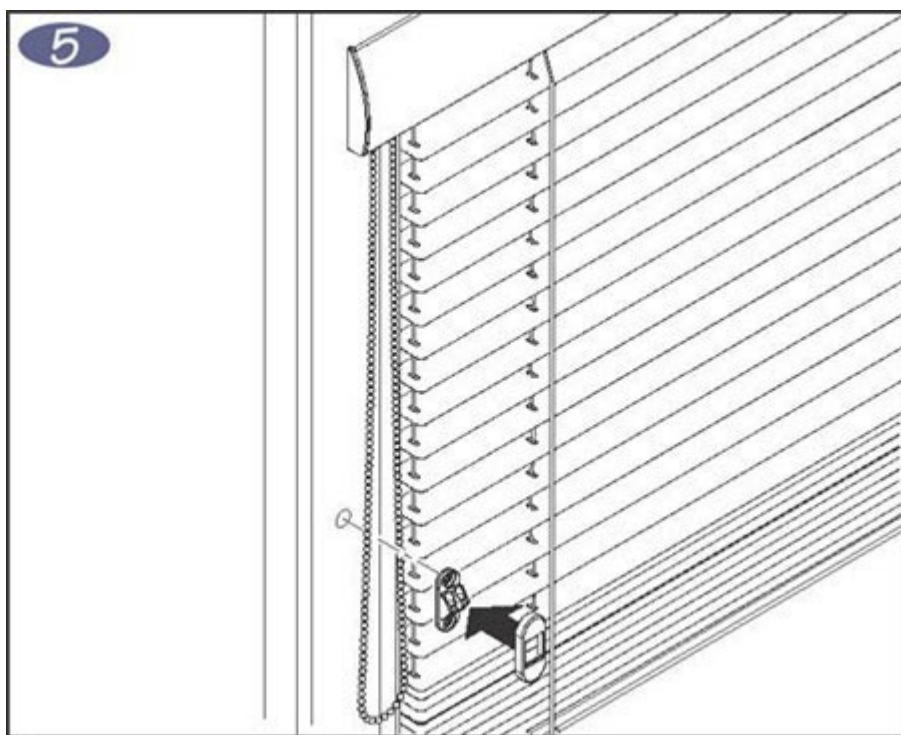
2. End of the blind till centre of hole = 8 mm



3. Side guiding plug in hole



4. Clicking slat



5. Mounting the mounting bracket