

# Installation and operating instruction for Wood Blinds



GB

[www.Luxaflex.com](http://www.Luxaflex.com)

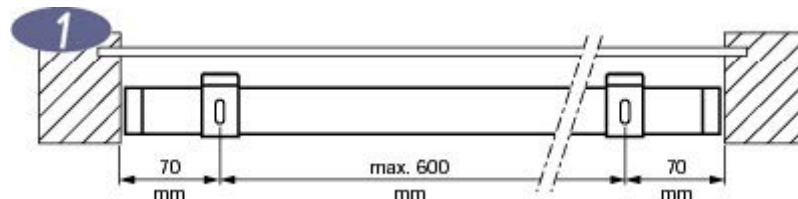
## General information

Please read the following installation and operating instructions carefully. We are unable to accept responsibility for products that have not been installed or operated correctly. Please note that part of the character of wood products is that you may find variation in tone, grain and a degree of warping.

## STANDARD MOUNTING

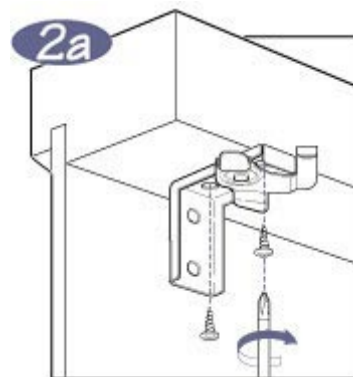
### 1. Fitting positions

Mark the bracket positions. The distance between the brackets must not exceed 600 mm. The brackets should be placed equally along the width of the blind making sure the blind will clear any obstructions such as handles etc.



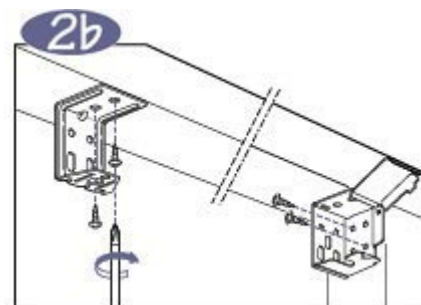
### 2a. Swivel brackets (standard for blinds upto 1400 mm wide)

The swivel brackets can be used to fit the blind inside or outside the recess and can be top or face fitted. When fitting make sure the blind is mounted horizontally. Also make sure the bracket positions will not obstruct any moving parts in the headrail.



### 2b. End Brackets / Centre Supports (standard for blinds exceeding 1400 mm wide)

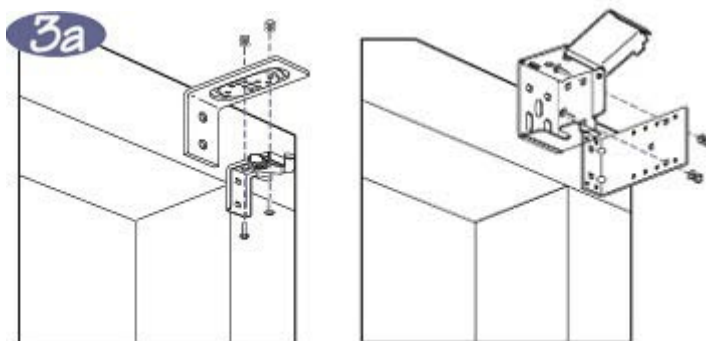
The end brackets and center supports can be used to fit the blind inside or outside the recess and can be top, face or side fitted. Blinds with a monocommando (motor/crank) operation are always supplied with end brackets and center supports.



## MOUNTING OPTIONS

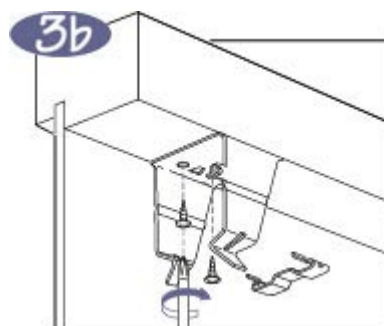
### 3a. Extension brackets *(option)*

If ordered, the correct extension brackets will be included. Install as shown in the diagrams. The distance between the brackets must not exceed 600 mm.



### 3b. Recess pocket brackets *(option)*

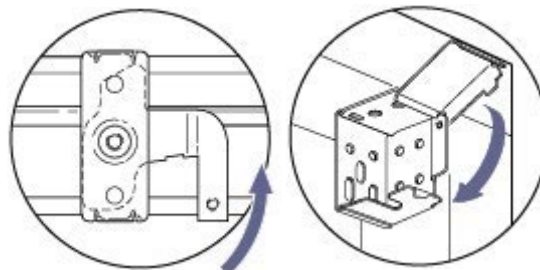
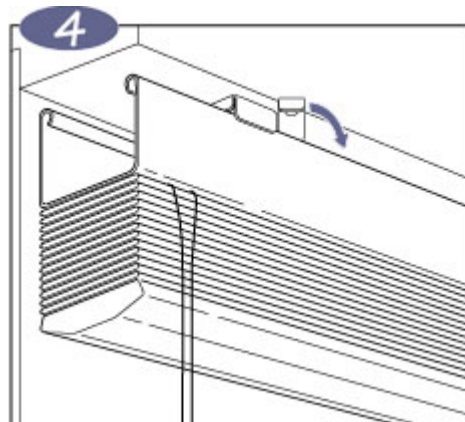
These brackets are used when there is limited space for installation. Fit the headrail into the bracket and secure with the retaining clip as shown.



## INSTALLATION

### 4. Blind

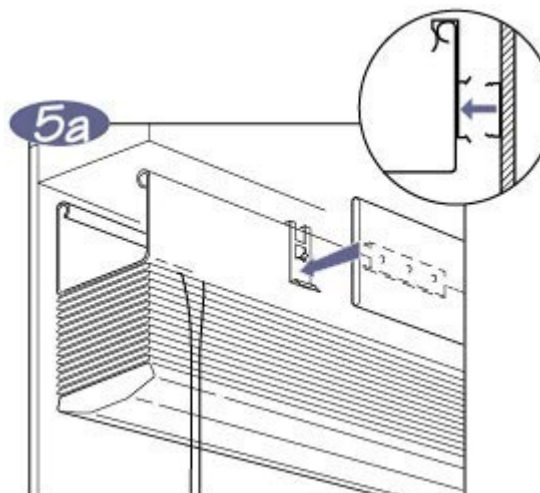
Position the headrail in the open brackets. To support larger blinds, the assistance of another person is recommended. Move each clip towards the headrail to lock the brackets.



### 5 Valance

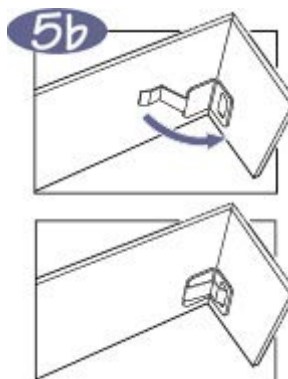
#### 5a Inside recess:

Hang Valance over the headrail. Align the clips attached to the valance with the clips on the headrail and snap together.



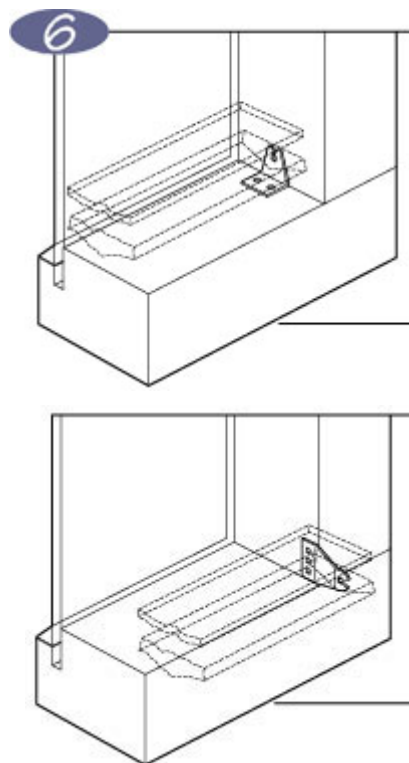
### 5b. Outside recess: (Essentials and FSC cedar blinds)

Hang the valance over the headrail.  
Lock the hinged corners as shown.  
Align the clips attached to the valance with the clips on the headrail and snap together.



### 6. Hold-down brackets (option)

These brackets can be mounted inside the recess or outside the recess.  
They hold the bottomrail in position and should be installed on each side of the bottomrail, as shown. Before the blind is raised, the bottomrail must be released from the brackets.



## Operation

Always tilt the slats in a horizontal position before raising or lowering the blind.

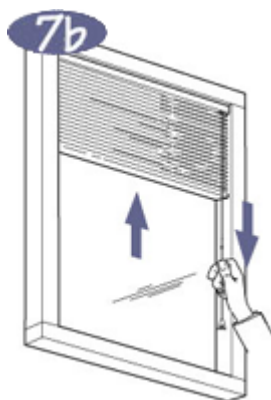
### 7a. Lowering

Carefully lower the blind to the desired position by pulling the cord diagonally towards the center of the blind to release the cord lock. Then allow the blind to drop holding the cord at this angle.



## 7b. Raising

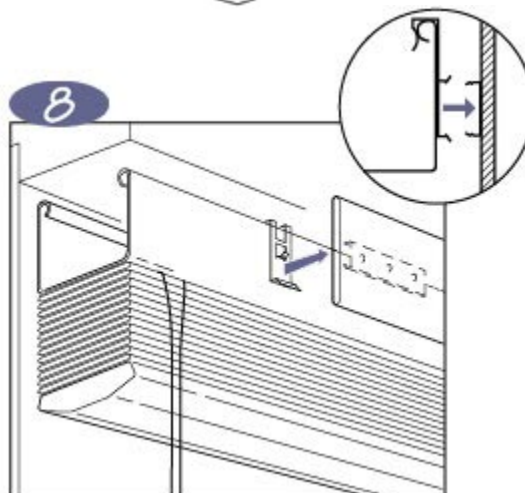
To raise the blind, pull the cord vertically until the blind reaches the desired position.



## REMOVAL

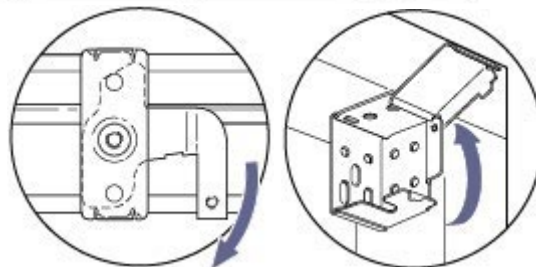
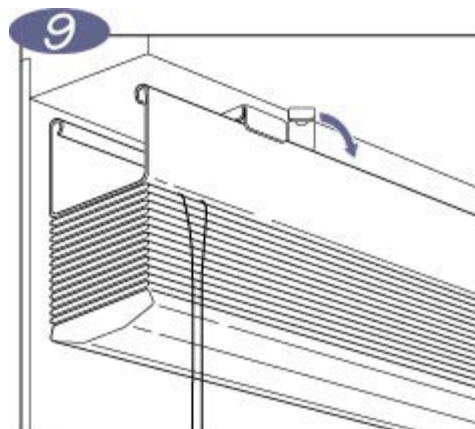
### 8. Valance

Carefully remove the valance by tilting the top of the valance forwards and pull gently towards you.



### 9. Blind

Support the blind while unlocking the brackets using a screw driver to move the clip. When the clips are open, the blind can simply be lifted out of the brackets.



## CLEANING

Regular cleaning with a feather duster or vacuum cleaner on LOW suction will in most cases be sufficient to keep your blind clean. Stains and dirt should be removed as soon as possible using a soft, slightly damp cloth. We are unable to accept any responsibility for the effects of any other cleaning treatments.